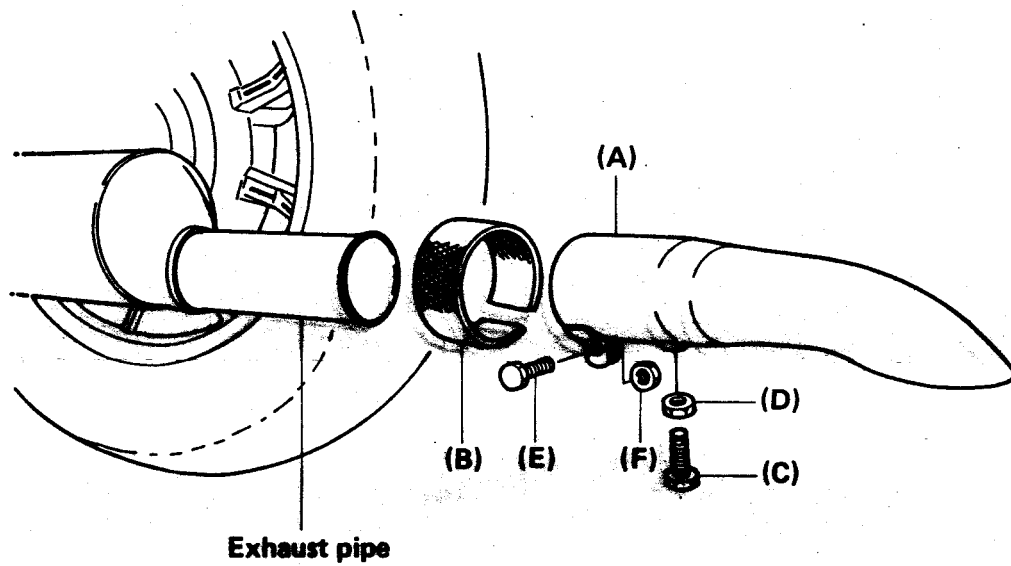


Exhaust Extension 14630-24A00

1. Install the extension gasket (B) around the exhaust pipe and connect the exhaust extension (A) over the exhaust pipe.
2. Tighten the exhaust extension temporarily with the hex. nut (D) and crown bolt (C) to make sure that the exhaust extension is held in place.
3. Adjust the exhaust extension so that its exhaust port faces downward and tighten it with the flange bolt (E) and the lock nut (F).
4. After tightening the bolt (C), tighten the stopper nut (D), also.
5. Install both the right and left side exhaust extensions in the same manner.

INSTALLATION INSTRUCTIONS

Exhaust Extension (14630-24A00)



LEFT SIDE SHOWN

Letter	Qty	Description	Letter	Qty	Description
A	2	Exhaust Extension	E	2	6 x 16mm Flange Bolt
B	2	Extension Gasket	F	2	Lock Nut
C	2	6 x 16mm Crown Bolt			
D	2	Hex. Nut			