

INSTALLATION INSTRUCTIONS

Rear End Marker Set (36500-24850)

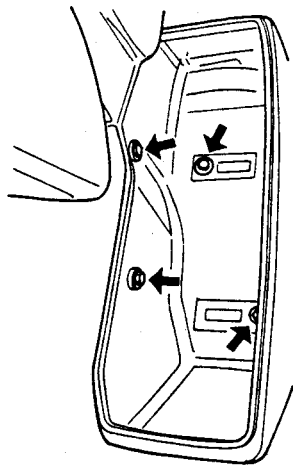


Fig. 1

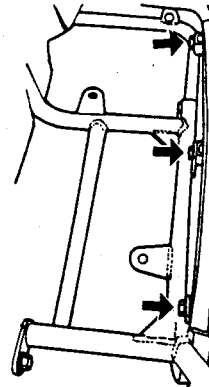
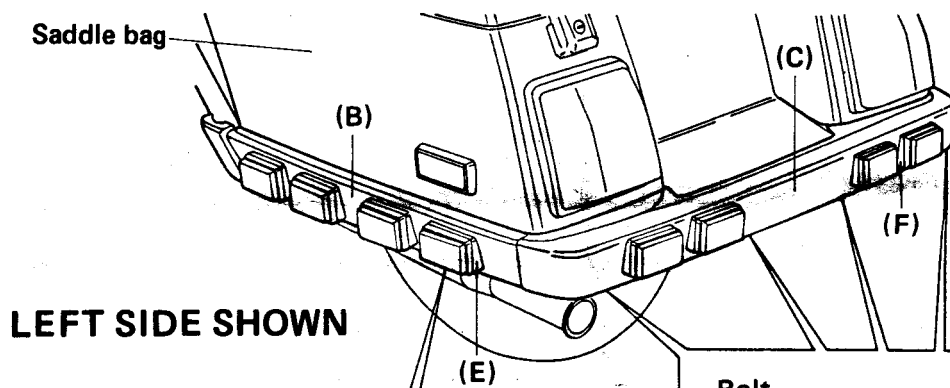
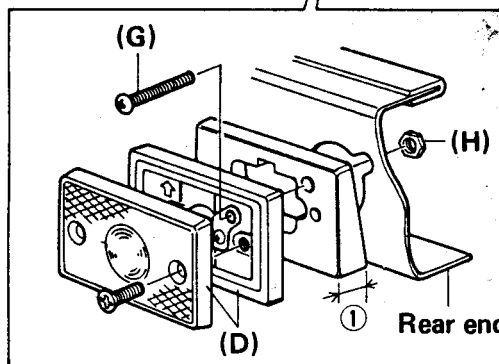


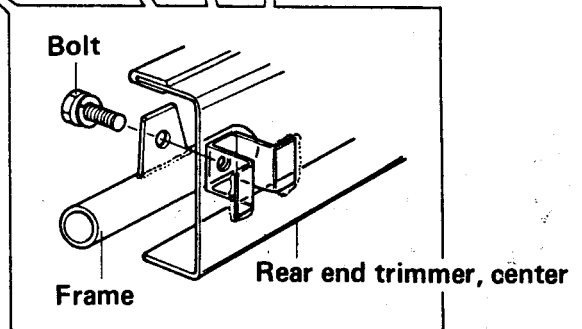
Fig. 2



LEFT SIDE SHOWN



Rear end trimmer, left



Rear end trimmer, center

Letter	Qty	Description	Letter	Qty	Description
A	1	Rear End Trimmer, Right	E	8	Marker Lamp Side Base Packing
B	1	Rear End Trimmer, Left	F	4	Marker Lamp Center Base Packing
C	1	Rear End Trimmer, Center	G	24	Screw (25mm)
D	12	Marker Lamp B	H	24	Nut

Rear End Marker Set (36500-24850)

1. First, follow the instruction manual to install Marker Lamp Switch & Wiring Harness Kit (36500-24860).
2. Remove both the right and the left saddle bags by removing four bolts, each side, inside the saddle bag. (Fig. 1)
3. Remove the three bolts that secure the standard rear end trimmer (right & left) and remove the left and right side of the rear end trimmer together. (Fig. 2)
4. Remove the four bolts that secure the rear end trimmer, center and remove the rear end trimmer, center.
5. Install rubber packings as accessories to each trimmer.

Note: It is recommended for you to use instant adhesive on a few places of the rubber packings.

6. Install the four marker lamps (D) together with the marker lamp side base packings (E) to the rear end trim, right (A) and the rear end trim, left (B) each.
7. Remove the lenses of the marker lamps together with two screws and use 25mm (0.98in.) screws and nuts to install the marker lamp base together with a base packing to the rear end trimmer.

Marker lamp side base packing ①: 8 x 10.5mm (0.41in.)

~~Marker lamp center base packing ②: 4 x 8mm (0.31in.)~~

8. Install to the frame the rear end trimmer, right and left with three bolts each.
9. Install the rear end trim, center to the frame with four bolts.
10. Connect the lamp cords to the wire harness.
11. Install the saddle bag with its securing bolts.

Note: Never use any lamp bulb other than the standard lamp bulbs.