

INSTALLATION INSTRUCTIONS

Tail Marker Lamp Set (36500-24830)

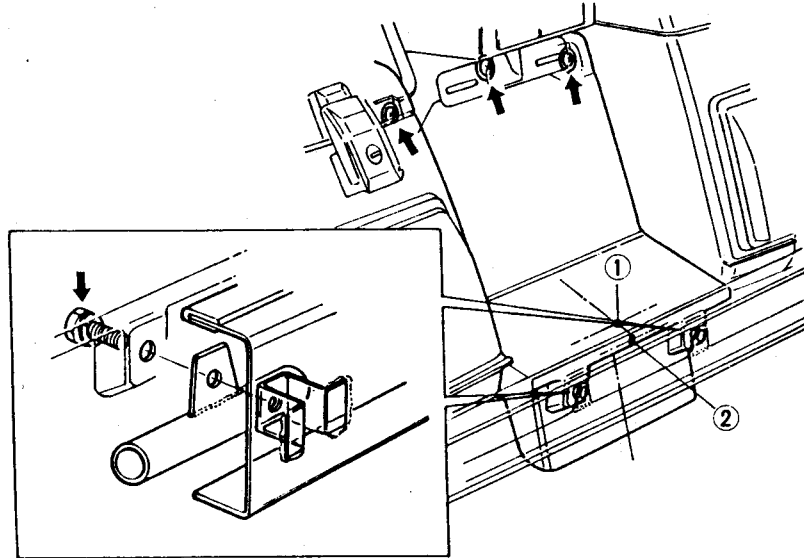


Fig. 1

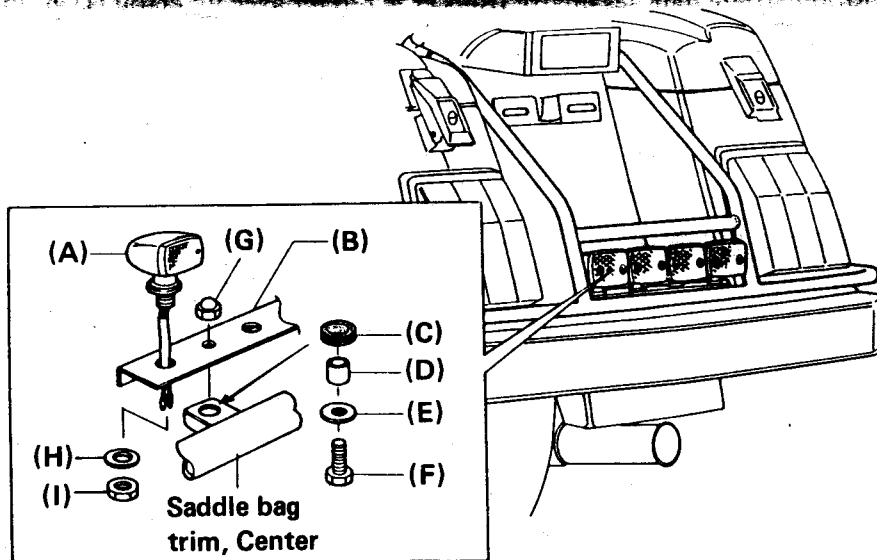


Fig. 2

Letter	Qty	Description	Letter	Qty	Description
A	4	Tail Marker Lamp	F	2	Bolt
B	1	Marker Lamp Plate	G	2	Crown Nut
C	2	Cushion	H	4	Flat Washer
D	2	Spacer	I	4	Nut
E	2	Flat Washer			

Tail Marker Lamp Set 36500-24830

1. First, follow the instruction manual to install Marker Lamp Switch & Wiring Harness Kit (36500-24860).
2. To drill holes through which the lamp cords are routed, remove three screws and tow bolts to remove the rear fender and the rear end trim, center.
3. Drill a hole of 10.5mm (0.41in.) at the point ① as shown in the Fig. 1.
4. Drill a hole of 10.5mm (0.41in.) at the point ② from back side as shown in the Fig. 1.
5. Install grommets provided with Marker Lamp Switch & Wiring Harness Kit to the holes which were drilled in the steps 3 and 4.
6. Install the rear fender with three screws.
7. This Tail Marker Lamp Set is designed so that it is installed to the saddle bag trim, center of Saddle Bag Trim Set (94870-24A00), and hence it should be installed before taking any further procedures.
8. Remove the nut (I) and washer (H) from the tail marker lamp and install the tail marker lamp into the four holes of the marker lamp plate alternately with the nut (I) and washer (H).
9. Fit cushions (C) into the two holes of the saddle bag trim, center and insert spacers (D) into the cushions.
10. Install the marker lamp plate (B) to saddle bag trim, center by inserting a flat washer and a bolt (F) from downward and secure them with crown nut (G) in the same manner of Fig. 2.
11. Route the lamp cords through the holes drilled into the rear fender, connect them to the wiring harness, and install the rear end trim, center.