

INSTALLATION INSTRUCTIONS

Travel Trunk Marker Set (36500-24840)

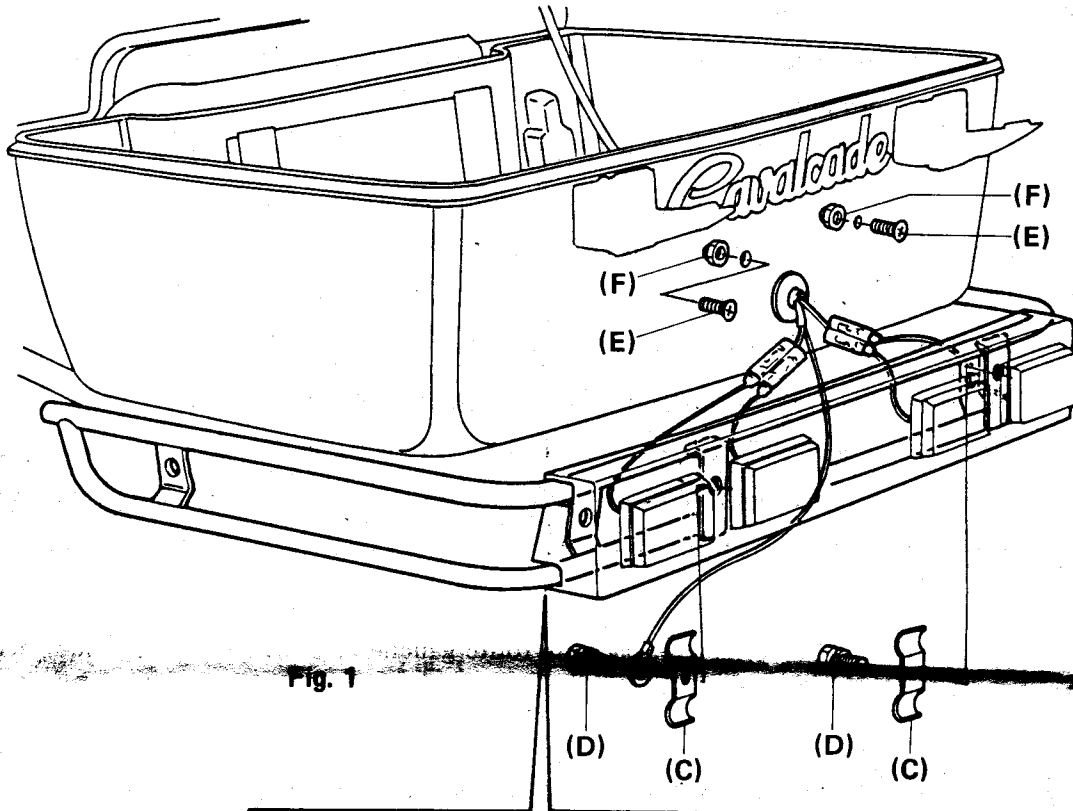


Fig. 1

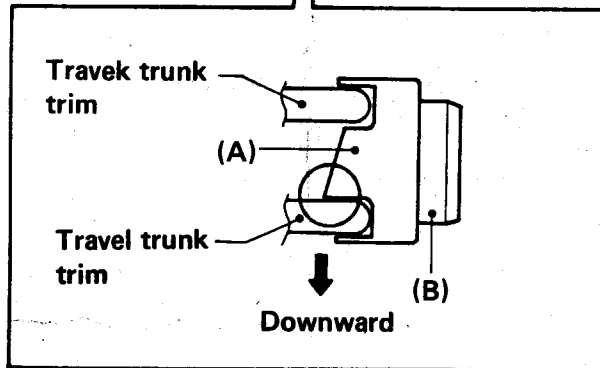


Fig. 2

LEFT SIDE SHOWN

Letter	Qty	Description	Letter	Qty	Description
A	1	Marker Lamp Plate	D	2	6 x 12mm Bolt
B	4	Marker Lamp B	E	2	Screw
C	2	Bracket	F	2	Crown Nut

Travel Trunk Marker Set 36500-24840

1. First, follow the instruction manual to install Marker Lamp Switch & Wiring Harness Kit (36500-24860).
 2. This parts set is so designed that it is installed to Travel Trunk Trim Set (94880-24A00). Therefore, first, prepare the Travel Trunk Trim Set and follow the procedures 1 through 7 of the instruction manual to drill holes as required.
 3. Remove the emblem "Cavalcade". Insert a screw of 4mm (0.16in.) into the hole which was drilled for the emblem, from outside and fasten the screw (E) with a crown nut (F) so that the hole is blinded and disappeared. Use the same procedure for the other hole.
 4. Sandwich the travel trunk trim between the marker lamp plate (A) and the bracket (C), and tighten them with the bolt (D).
- Note:** Do not use the marker lamp plate upsidedown because there is the difference between its top and bottom. Hence, install it so that the portion with ○ mark shown in the Fig. 2 faces downward.
5. Connect all of the four marker lamps to the wire harnesses.
 6. Install both the travel trunk trims, right and left by tightening at one place each.
 7. Remove the lenses of the outer two marker lamps together with two screws. After removing the screws securing the lamp body, install the travel trunk trim by tightening at two places.
 8. Install the two marker lamps in place as they should be.
 9. Re-position the emblem which was removed in the step 3 to the place shown in the figure. First, mark off the center point of a bolt hole and drill a hole of 4.5mm (0.18in.).
 10. Fasten the emblem with a nut from the inside of the travel trunk.

Note: Never use any bulb other than the standard bulbs.