



AUDIO SYSTEM OPTIONAL PARTS INSTALLATION GUIDE

40 CHANNEL MOTORCYCLE CB TRANSCEIVER

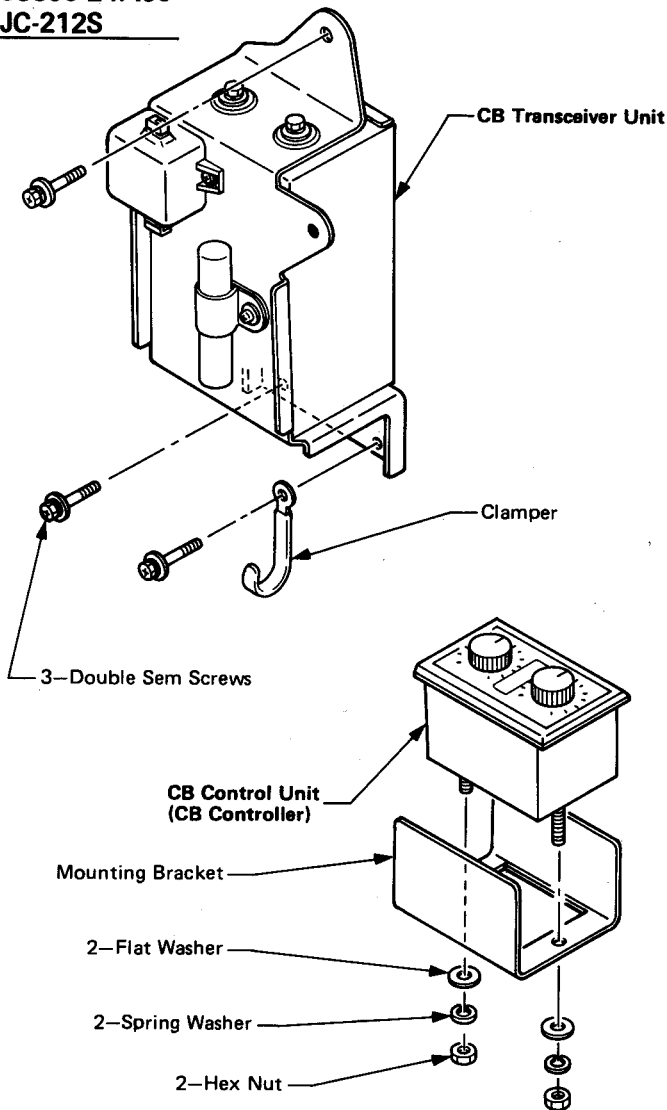
Notice to Dealer:

This guide provides you with necessary information to install SUZUKI/Clarion Audio System optional parts on the motorcycle, and should be read carefully and understood before starting the procedure.

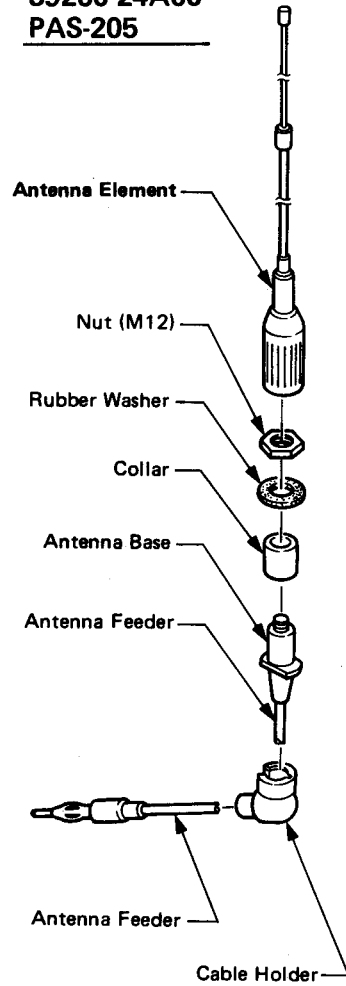
For information on the Audio System operating procedures and maintenance, please refer to its Operator's Manual.

PARTS DIAGRAM

38800-24A00
JC-212S



39260-24A00
PAS-205



TOOLS REQUIRED

- #2 Phillips screwdriver
- 10 mm and 13 mm box wrench

NOTES ON INSTALLATION

- Turn the ignition switch off before starting.
- Follow the order indicated in the "INSTALLATION" section.
- Make sure the color of connectors and couplers matches before connecting them.
- Place cords so that they do not get pinched or pressed against anything.
- Fasten bolts and nuts securely.

INSTALLATION

1. (1) Remove the Machine Screws and the Trim Plate, as shown in Fig. 1.

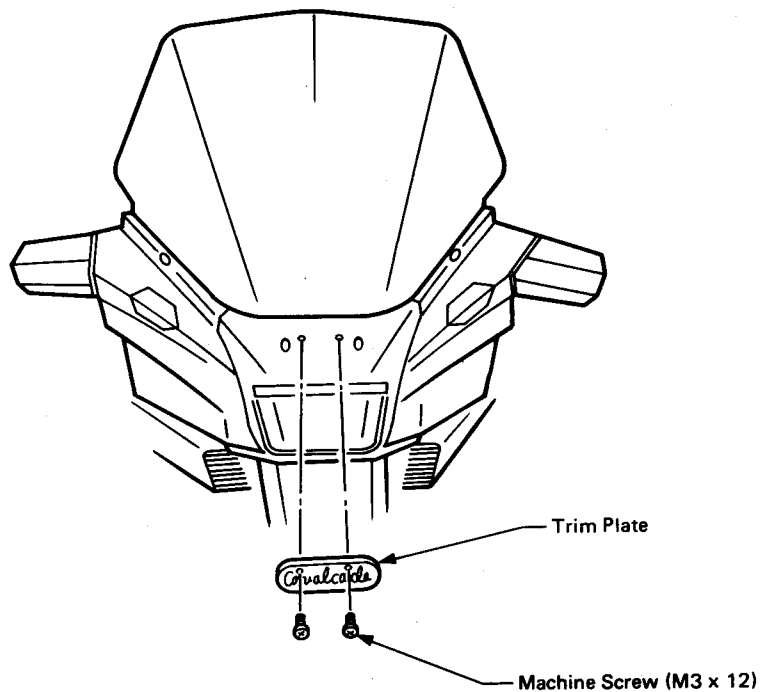


Fig. 1

- 2.** (1) Remove the screws and the Front Cover, as shown in Fig. 2.

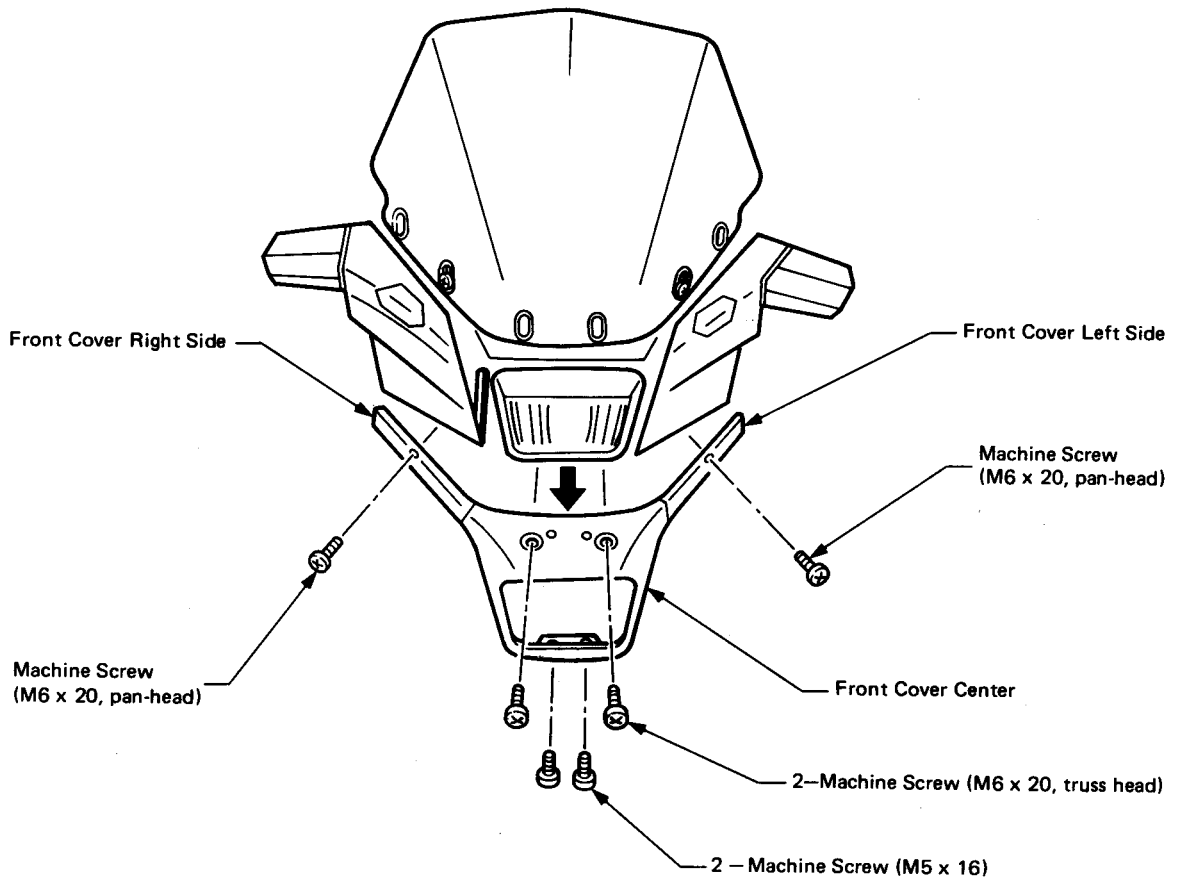


Fig. 2

- 3.** (1) Remove the left and right Side Box Lids.
(2) Remove the screws as shown in Fig. 3.
(3) Remove the Left Side Box.

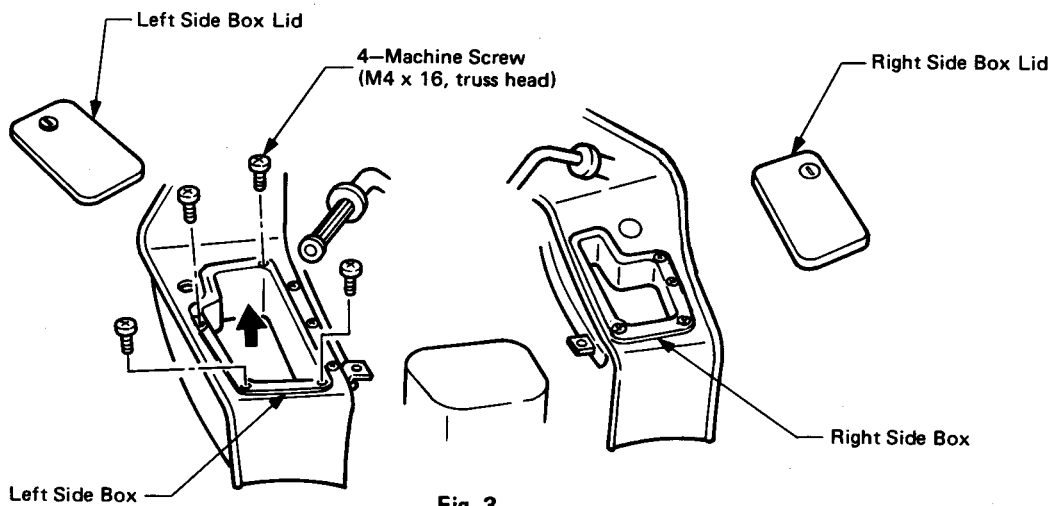


Fig. 3

- 4.** (1) Remove the Machine Screw and then the Left Side Cover, as shown in Fig. 4 (pull first towards you, and then push down).
 (2) Remove the Right Side Cover in the same way.

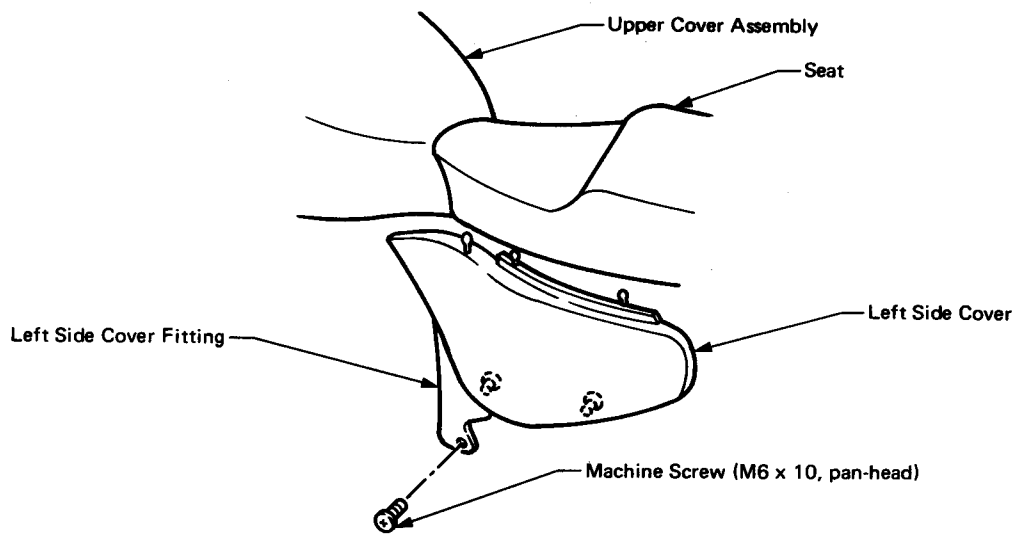


Fig. 4

- 5.** (1) Remove the right and left Side Trunk Lids, the Hexagon Bolts and finally the Seat, as shown in Fig. 5.
 (2) Disconnect the tube located under the seat.

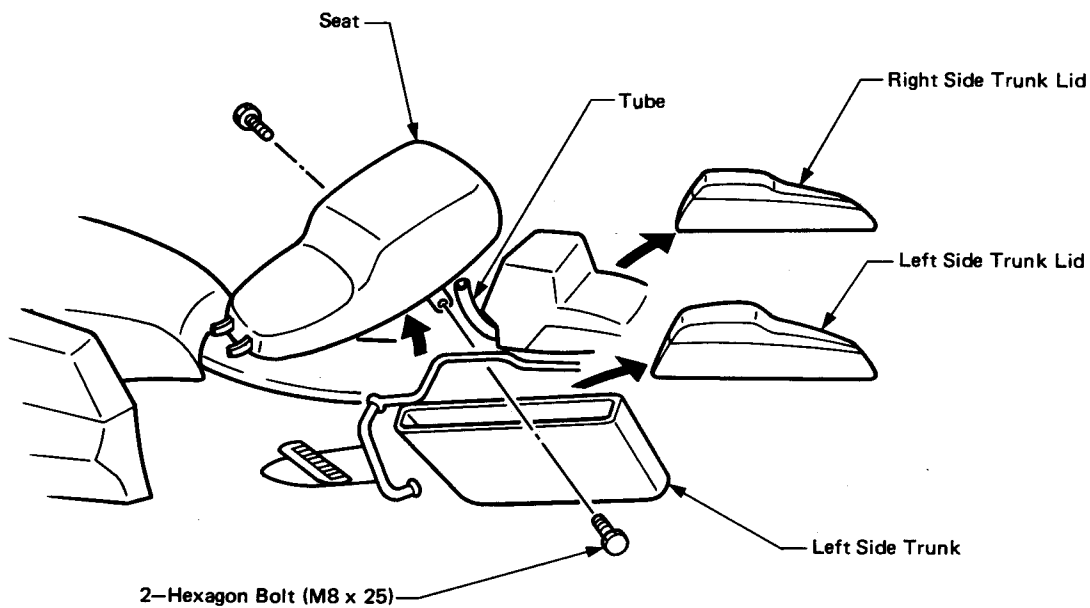


Fig. 5

6. (1) Remove the bolts and screws and then the Upper Cover Assembly, as shown in Fig. 6.

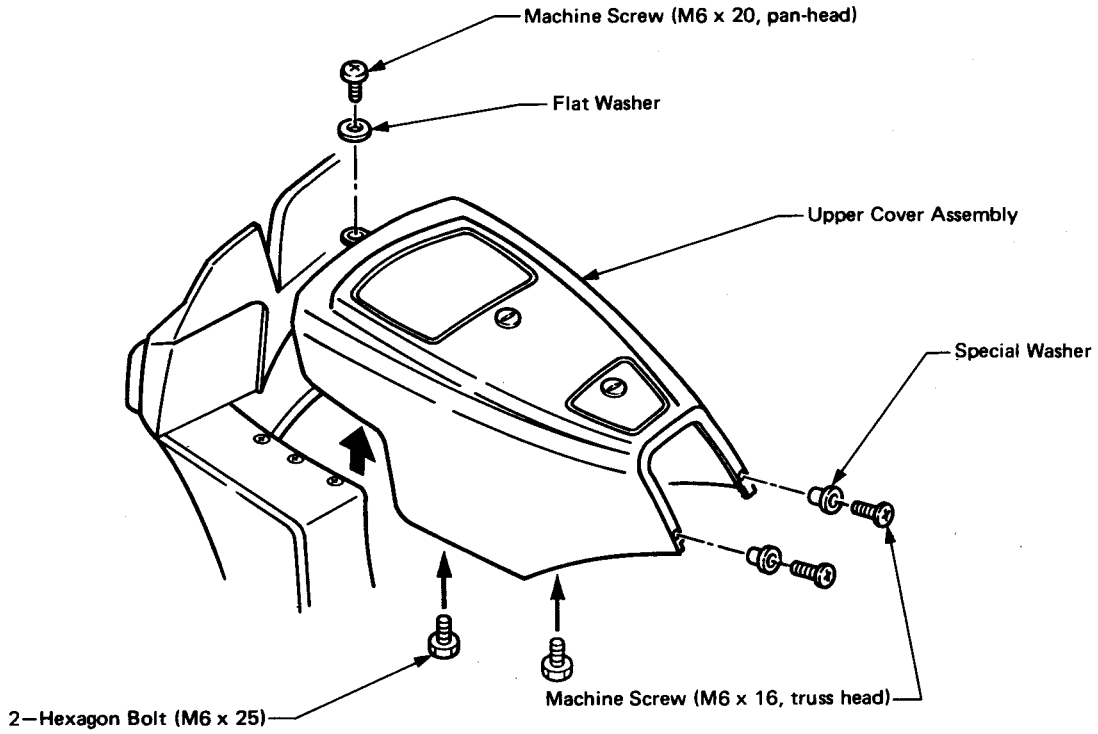


Fig. 6

7. (1) Pull the sealing rubber out.
(2) Remove the screws and the left and right Cover Assembly Frames, as shown in Fig. 7.

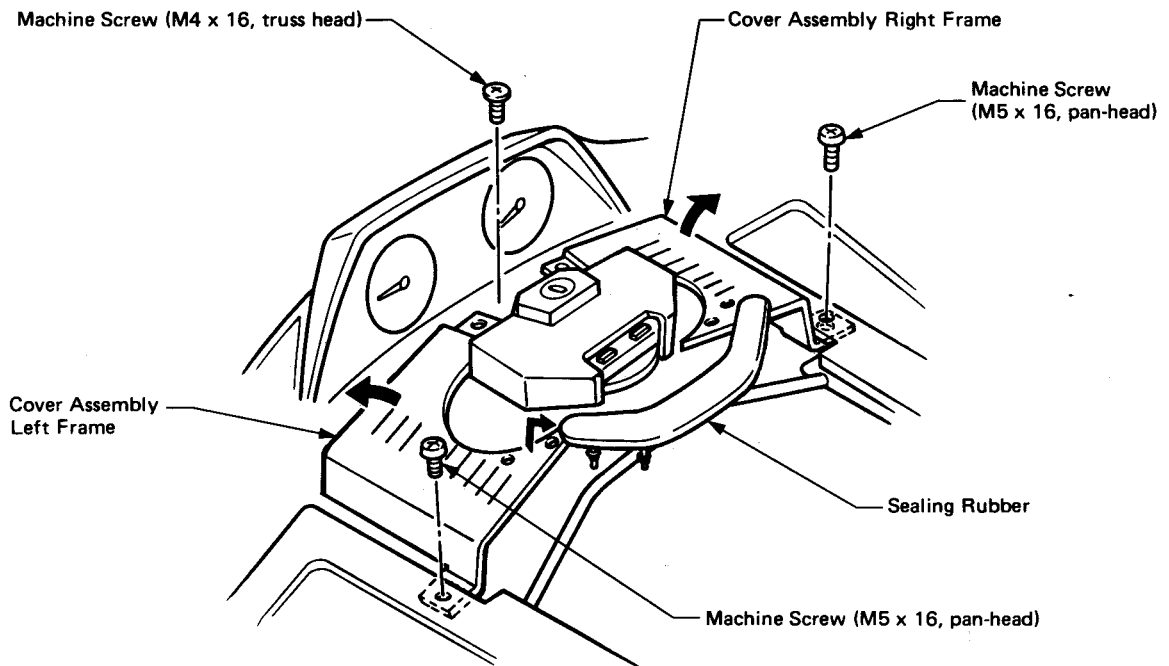


Fig. 7

8. (1) Remove the screws and the Lower Left Cover Assembly, as shown in Fig. 8.

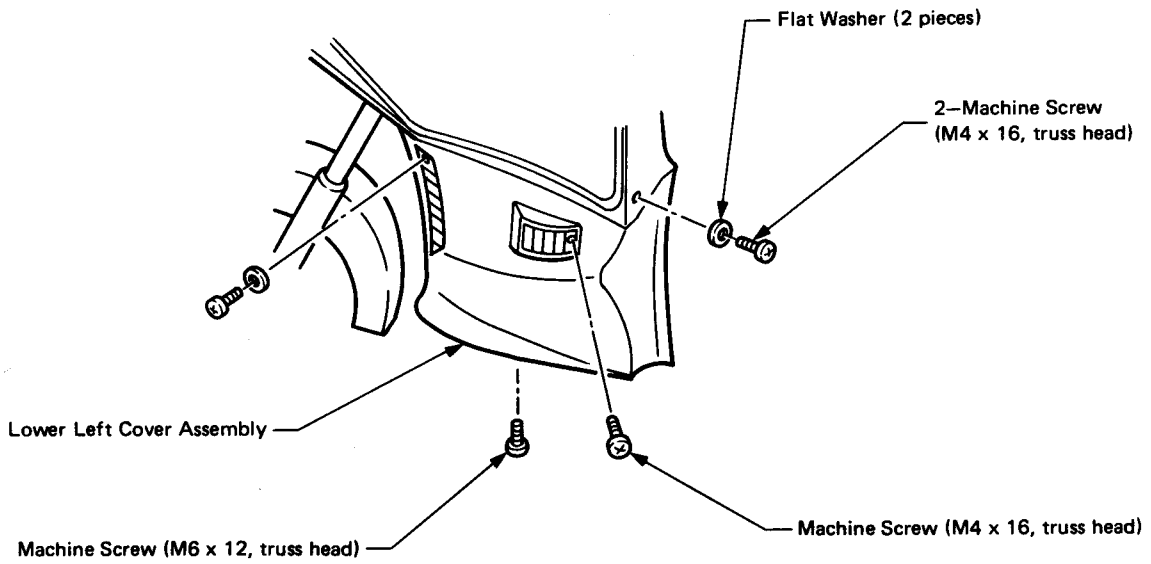


Fig. 8

9. (1) Remove the screws and the Upper Left Cover, as shown in Fig. 9.
(2) Disconnect the Left Winker Coupler.

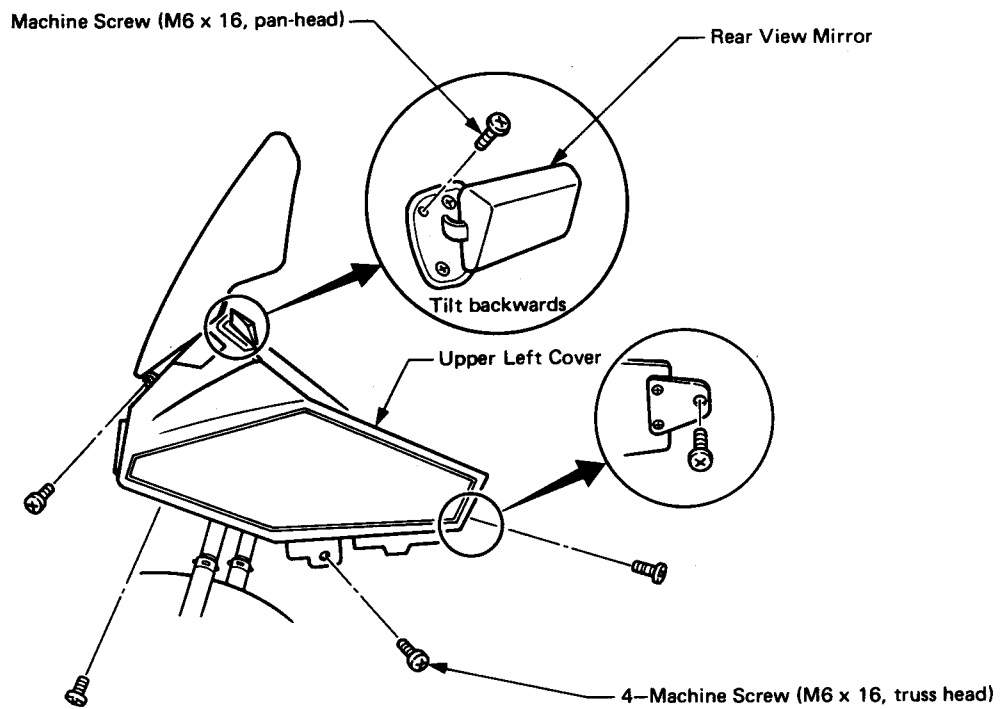


Fig. 9

ANTENNA INSTALLATION

1. (1) Fixe the Antenna Stay to the Antenna Base using the hexagonal Nut.
- (2) Pass the Antenna Feeder through the Cable Holder and insert it into the pipe located at the end of the Antenna Stay.
- (3) Pass the Antenna feeder through the Antenna Stay hole and take up any slackness it could have.

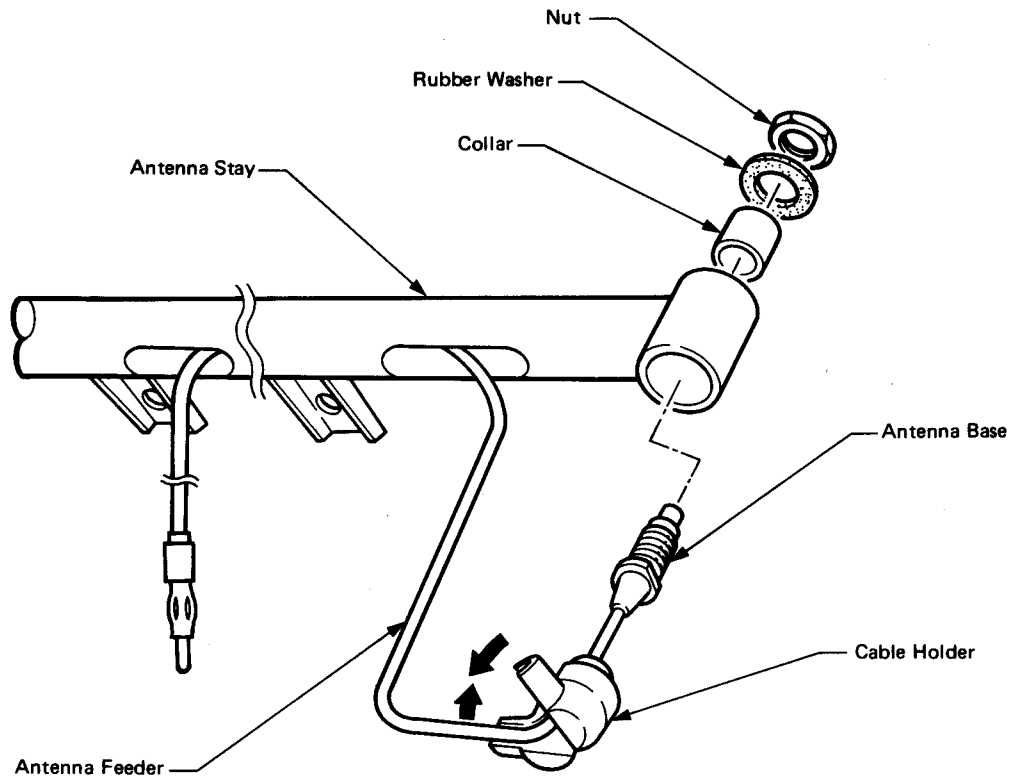


Fig. 1

2. (1) Install the Antenna Stay with the Antenna Base(s) mounted on the lower back of the rear trunk, using the installation nuts.

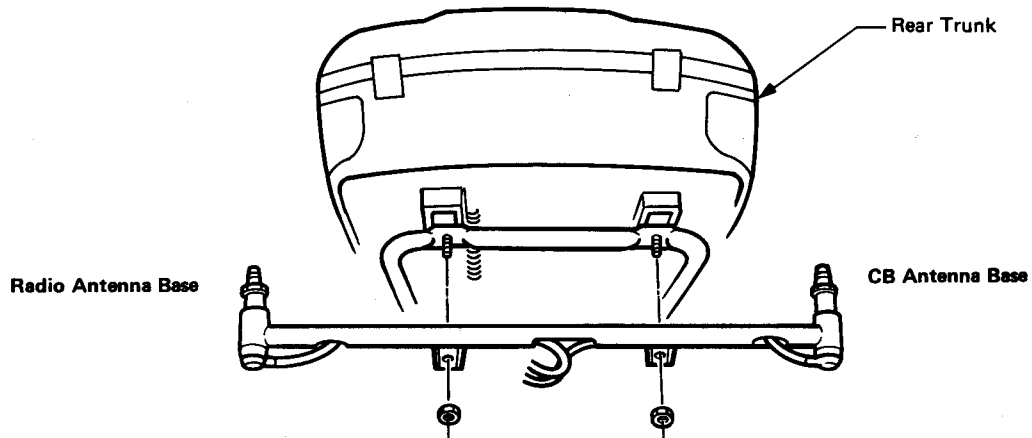


Fig. 2

3. (1) Attach the CB antenna element as shown in Fig. 3.
NOTE: Be sure that it is securely tightened.

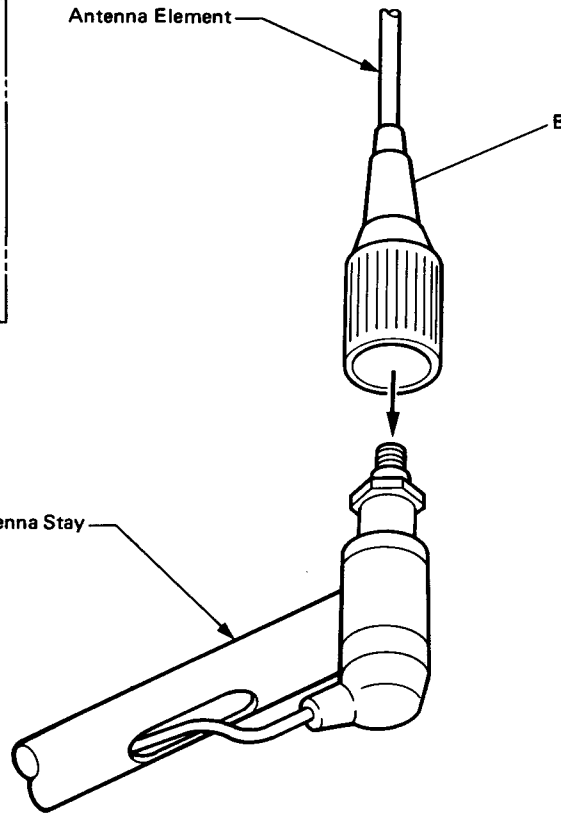
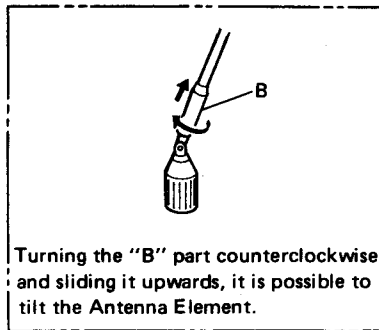


Fig. 3

4. (1) Fix the Antenna Feeders to the frame of the motorcycle using the clamps, as shown in the diagram.

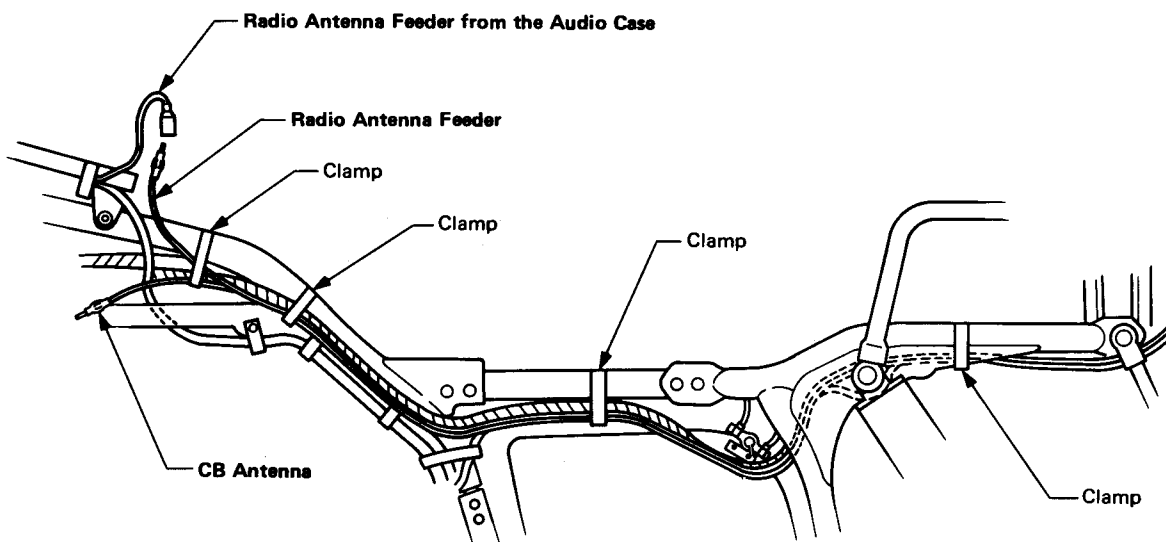


Fig. 4

MOUNTING THE CB CONTROL UNIT

1. (1) Line up the template with the shape of the interior of the left cowl panel and pocket holes and attach using tape. (Refer to Fig. 1)
- (2) Mark the holes with a punch and make the holes at correct angles.
- (3) Be sure not to come in contact with the parts inside the left cowl panel and the gutter during this operation.

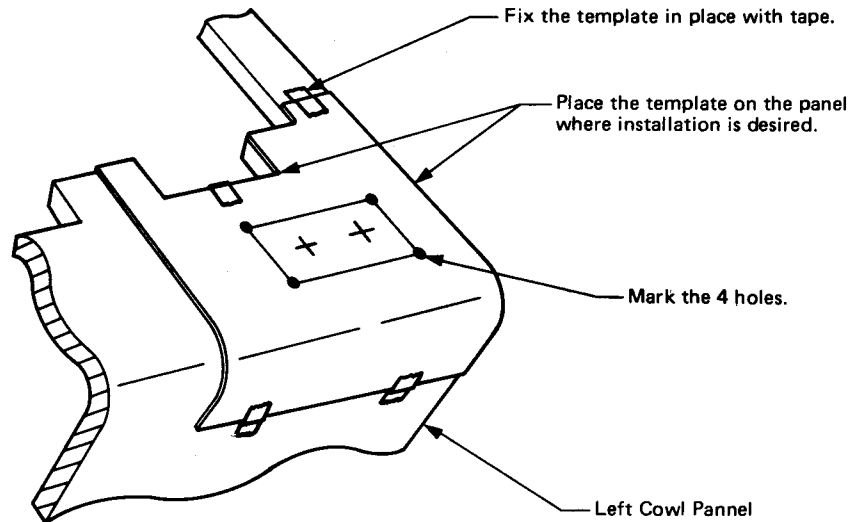


Fig. 1

2. (1) Fixe the CB controller to the mounting bracket from inside the left cowl panel, using the flat washer, spring yoke, and nut.

CB CONTROL UNIT

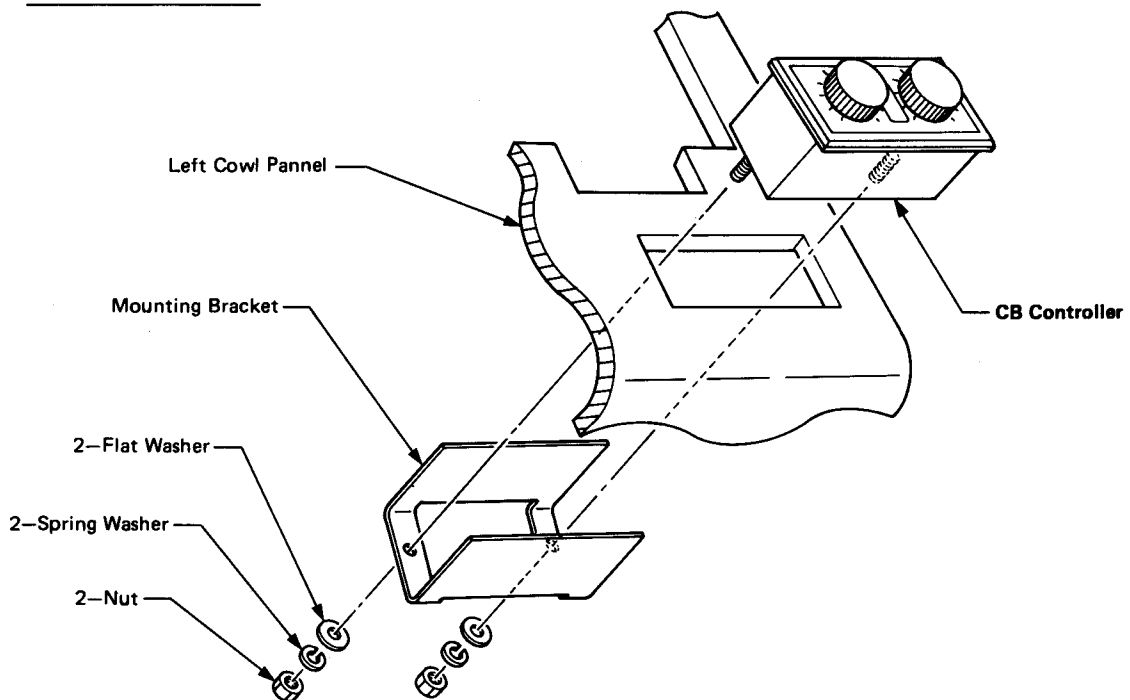


Fig. 2

MOUNTING THE CB TRANSCEIVER

1. (1) As shown in Fig. 1, attach the CB unit to the brace with the three double-sem bolts.

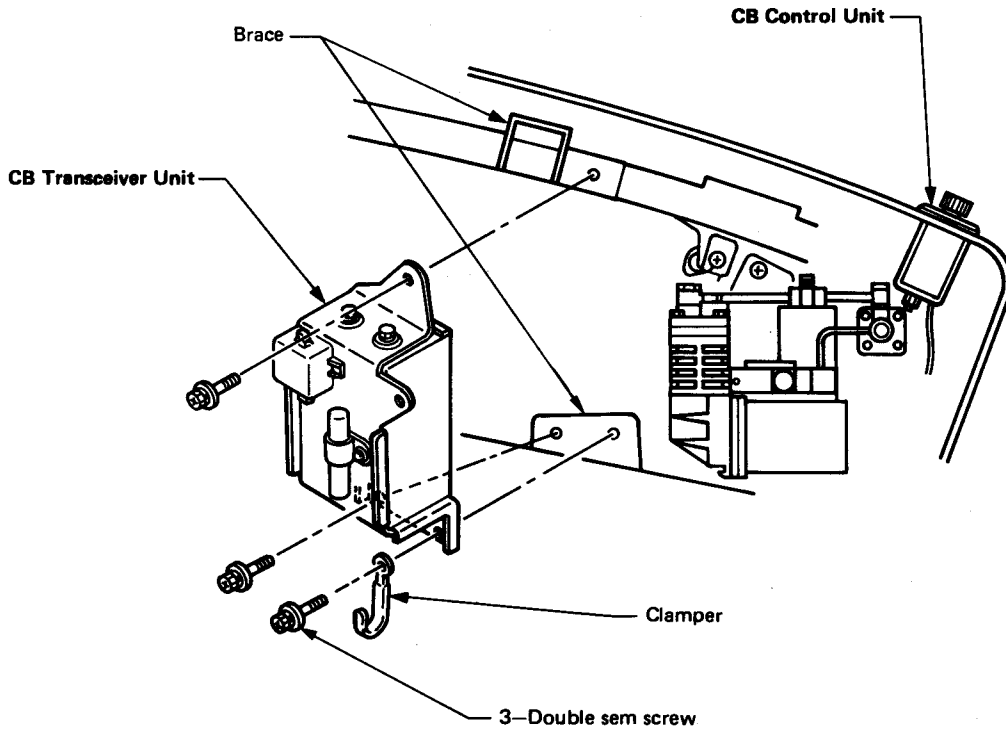


Fig. 1

CONNECTION DIAGRAM

CB Transceiver Side

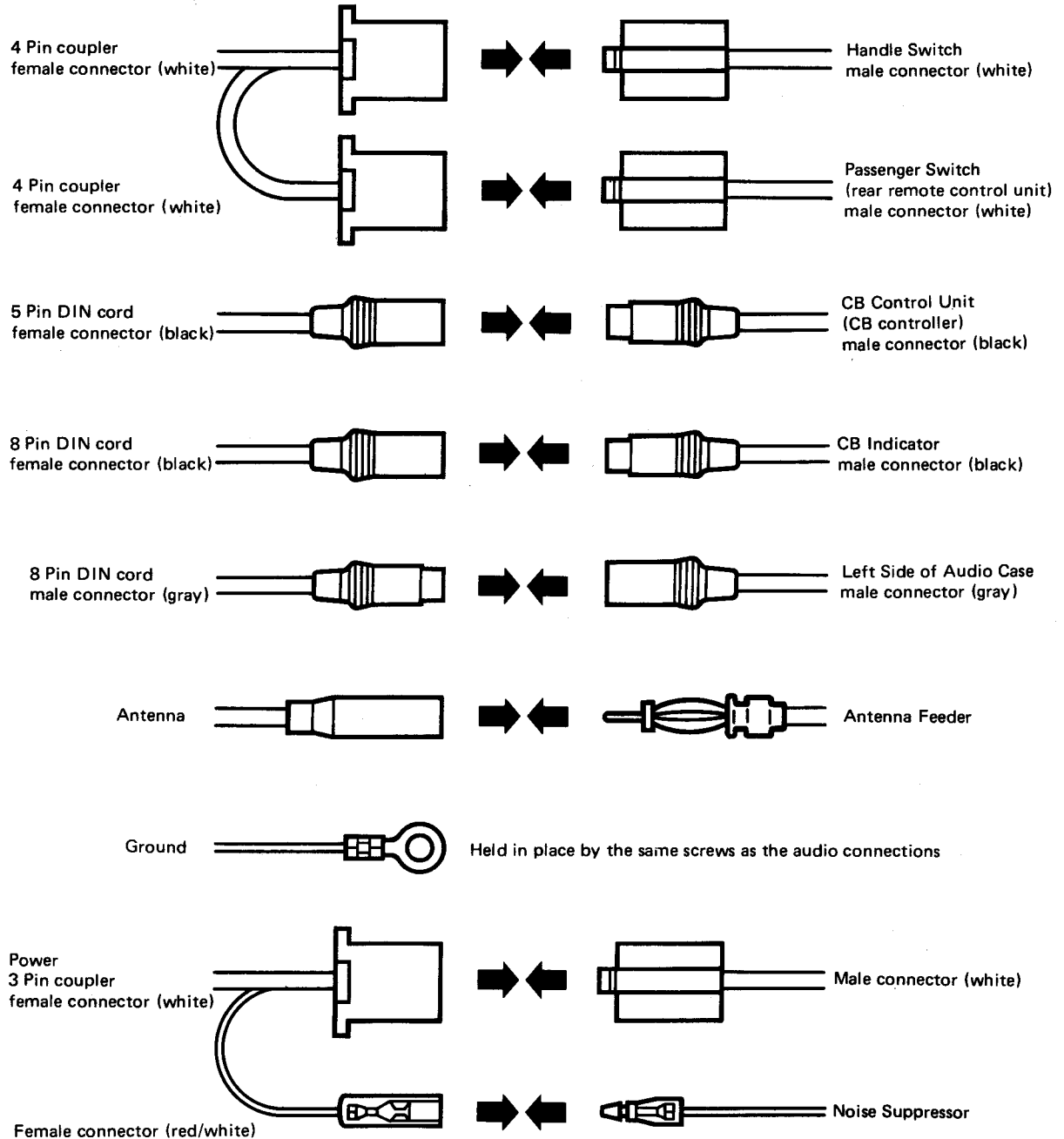


Fig. 1

1. (1) Connect the bundled wires following Fig. 1, and according to Fig. 2. The ground eyelet is fixed in place at the same place as the audio connections with the vehicle side screws.

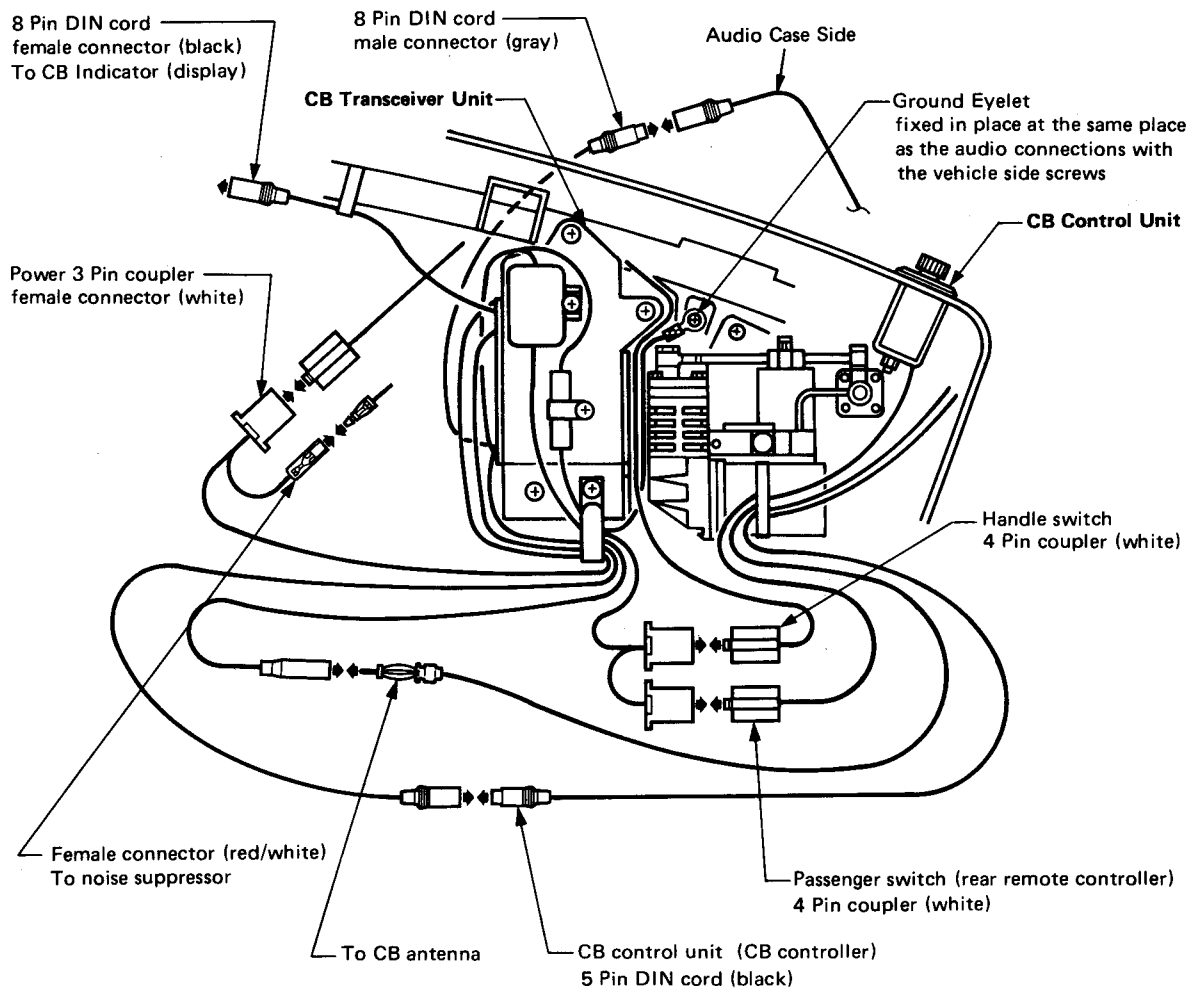
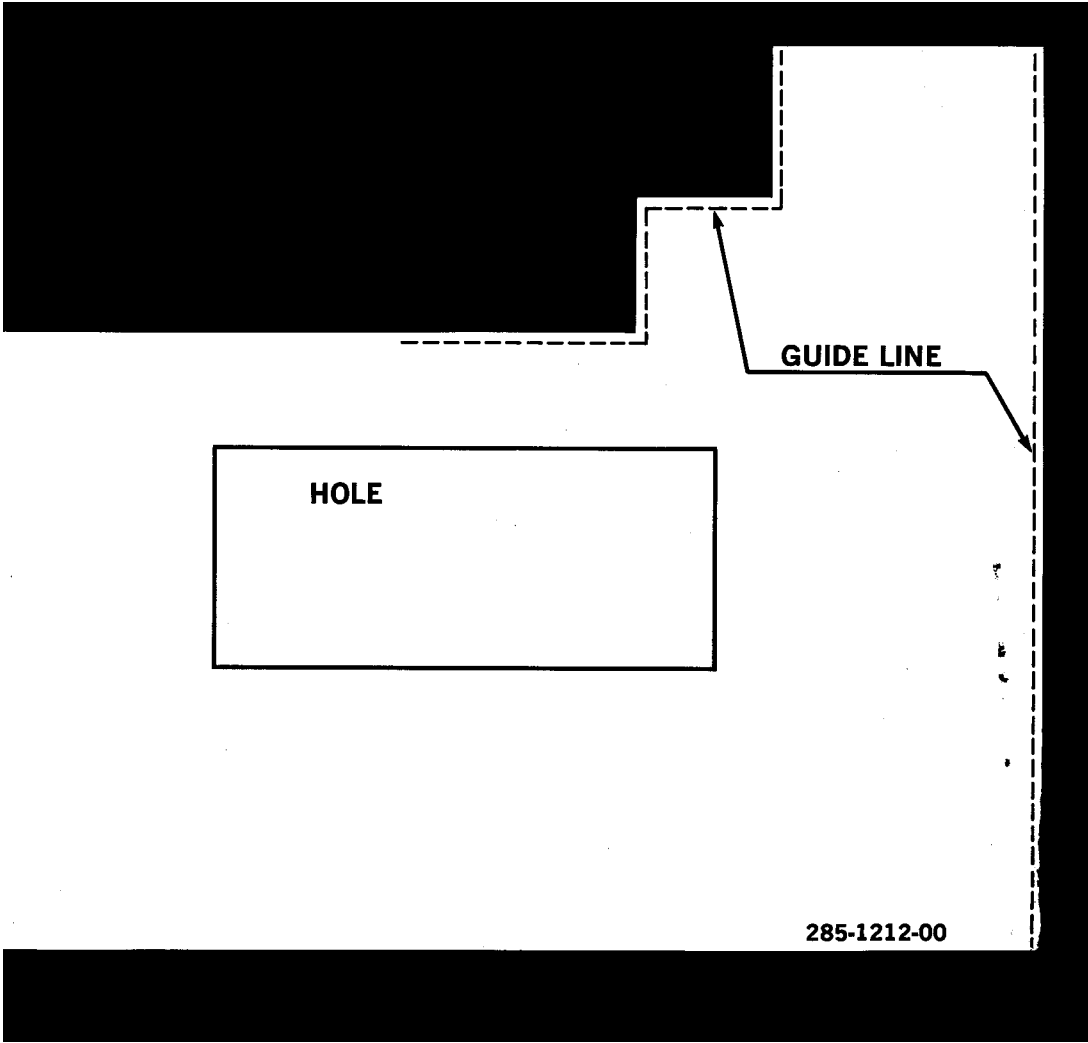


Fig. 2

FUNCTION CHECK

- 1) Check all of the connections upon the completion of all installation operations. Be sure that none of the wires are pinched.
- 2) Turn on the ignition switch of the vehicle, and check the functions and operations of the CB unit.
- 3) After checking the above, turn off the ignition switch of the vehicle. Follow the installation procedure in reverse to dismount the unit.



HOLE

GUIDE LINE

285-1212-00